

## Electronic Damper Actuator Spring Return

### Easily Replaces:

- Belimo LN/NF Series



Indoor  
Environmental  
Quality

### 62 lb.-in. Torque

- 24 Vac/Vdc, 2-position Control
- 120 Vac, 2-position Control
- 24 Vac/dc, Floating Control
- 0 to 10 Vdc, Modulating Control
- 2 to 10 Vdc/10 to 2 Vdc, Modulating Control



GMA Series Spring Return  
Direct-coupled Electronic Damper Actuator.

### Description

The OpenAir GMA Series Direct-coupled, Spring Return Electronic Damper Actuators provide modulating, two-position and floating control of building HVAC dampers.

### Features

- 24 Vac/dc compatible
- Integral 1/2-inch conduit connector
- Small actuator footprint with 62 lb.-in. of torque
- Bi-directional fail-safe spring return
- Unique self-centering shaft coupling
- Floating control models available with feedback potentiometer
- Manual override
- Mechanical range adjustment capability
- Easily visible position indicator
- Brushless DC motor technology
- Precabled
- UL60730, cUL (C22.2 No. 24-93), and CE listed
- All modulating types contain built-in feedback
- Assembled in the U.S.A

### Options

- Dual independently adjustable auxiliary switch
- Adjustable offset and span
- Signal inversion

### Applications

The OpenAir GMA Series Damper Actuators are ideal for constant or variable air volume installations for the control of return air, mixed air, exhaust, and face and bypass dampers that require up to 62 lb.-in. of torque.

The actuators are designed for applications where the damper is required to return to a fail-safe position when there is a power failure.

Models are available with either an appliance cable for wiring in conduit or a plenum-rated cable.

B-7

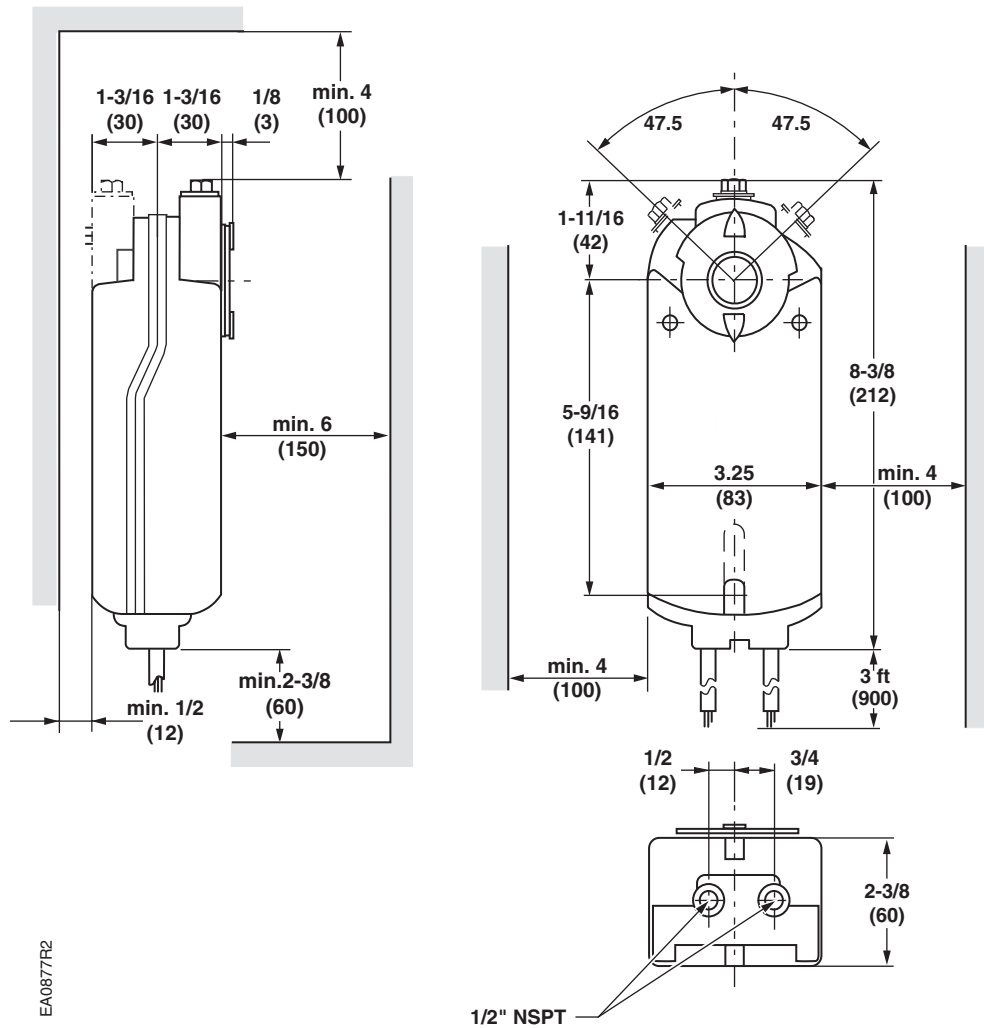
Damper Actuators



Siemens  
Product Guard  
PLUS 3 Warranty



## GMA/GEB Series OpenAir Damper Actuator



EA0877R2

Dimensions shown in inches (mm).